



## IC-UP001M

### 1. Features

Ultra- low power consumption: Standby current less than 30mA  
 Transmit format: WG26/WG34  
 Fast Searching speed : Time is less than 0.1S between reading card and opening the door

### 2. Specifications

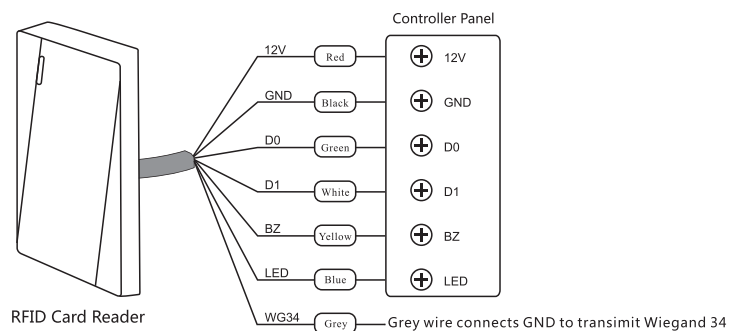
Card Type: EM/MF	Waterproof Degree: IP68
Operating Voltage: DC9-12V	Standby Current: $\leq$ 30mA
Reading Distance: 2-5cm	Operating Humidity: -45 ~ 60 C
Operating Humidity: 10%-90%RH	Searching Speed: Less than 0.1S between reading card and opening the door

### 3. Wiring

Wire No.	Function	Color	Description
1	LED	Blue	Connect controller LED
2	Beeper	Yellow	Connect controller beeper
3	D0	Green	WG output line D0
4	D1	White	WG output line D1
5	+12V	Red	Power supply +12V
6	GND	Black	Power supply -12V
7	WG34	Grey	Grey wire connects GND to transmit Wiegand34 output format

RFID Card Reader

### 4. Wiring Diagram



#### ★ Warm Tips:

- \* Please don't repair device by yourselves. Any issues, please notify supplier
- \* Before installation, if you want to punch holes, please carefully check the black line or line pipe to avoid unnecessary trouble such as breaking the black line when drilling. Use safety glasses when drilling or fixing the wire clips
- \* If upgraded, please forgive us without notice