



D-TECT Pet Immune Dual PIR Microwave Detector

Accurate and reliable detection with pet immunity

The D-TECT Pet Immune only alerts to an intrusion when both PIR's and the microwave are triggered simultaneously, providing truly reliable performance and exceptional resistance to unwanted alarms.

The D-TECT Pet Immune is perfect for residential or commercial outdoor applications where pets and other animals roam free.

GJD's D-TECT Pet Immune is designed to provide reliable immunity for animals weighing up to 30kg. It also has a selectable range on the PIR and microwave up to 15m.

PRODUCT CODES

GJD370 D-TECT Pet Immune Dual PIR Microwave Detector 10.525GHz

GJD371 D-TECT Pet Immune Dual PIR Microwave Detector 10.587GHz **UK**

GJD372 D-TECT Pet Immune Dual PIR Microwave Detector 9.9GHz

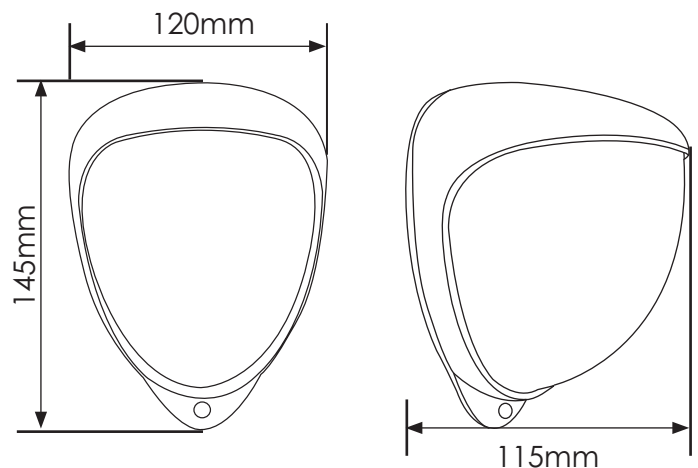
UNIQUE FEATURES

Active infra-red sensor system to prevent mask tampering
Adjustable 180° pan and 30° tilt
Conduit adaptor available
Selectable range up to 15m on PIR & microwave
Covert sensor module
Adjustable pulse count (programmed through DIP switches) 1-4
Built in anti-sway on the microwave
Mounting height up to 1.8m

END USER BENEFITS

Modern design
Exceptional resistance to false alarms
Robust IP65 rated ABS housing
Superior PIR, microwave and anti-mask sensor protection
Pet immunity up to 30Kg

DIMENSIONS



ACCESSORIES

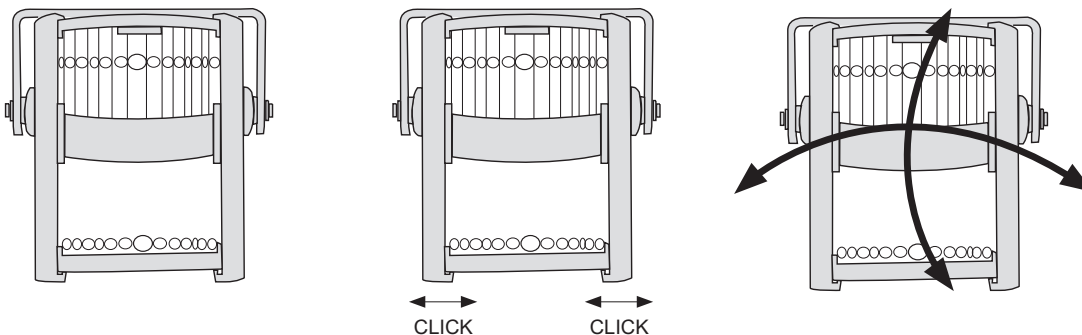
GJD304	ABS Conduit Adaptor
GJD305	Pole Mount Bracket

DETECTION RANGE	Up to 15m selectable
COVERAGE	10° - 70° detection angle,
WALK TEST	Output test mode with LED indication
OPERATING TEMPERATURE	-20°C to +55°C Conformally coated electronics for increased stability
ADJUSTMENT	180° pan, 30° tilt
MOUNTING HEIGHT	Up to 1.8m
POWER INPUT	9-15 V DC
INDICATOR LEDs	1 x Red - Top PIR 1 x Green - Bottom PIR 1 x Amber - Anti-Mask 1 x Blue - Alarm
OUTPUTS	3 x volt-free, silent solid state magnetically immune, incl. common tamper (front and rear switches)
WEATHER RATING	IP65
PULSE COUNT	Programmed through DIP switches
MICROWAVE FREQUENCY	GJD370 10.525GHz GJD371 10.587GHz UK GJD372 9.9GHz

Inside View



BEAM COVERAGE



KEY
— PIR
- - - Microwave

