



DS-PR1-60

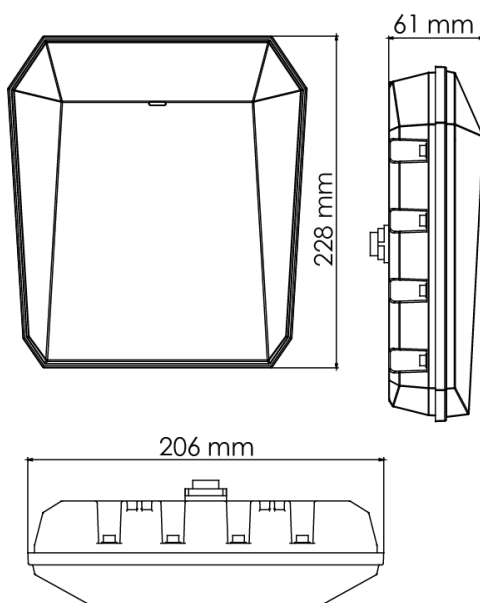


- Detection angle: 100°
- Detection range: 60m
- Line crossing(Max. 4 trigger lines) and Zone alarm(Max. 8 Zones)
- 2 Selectable frequency band
- Coverage up to 3,000 sq m
- Up to 32 detection targets
- Links up to 4 speed domes for auto target-tracking and the speed domes can be mounted separately
- Function of radar-speed dome linkage: smooth stream*, mandatory switch of speed dome tracking target , parking action and field of view display for each speed dome
- Supports 3 low-voltage relays, 1 high-voltage relay
- Multiple radars can link to one speed dome
- movable trigger line(whole line or one endpoint), editable trigger line length, and configurable trigger line direction
- Selectable applications including open mode, shrub mode, and custom mode (with adjustable sensitivity)
- 3 selectable Scenario Modes optional
- Up to 4 targets can be tracked by 4 speed domes respectively
- Water resistant and vandal proof (IP67 and IK09)Multiple anomaly detections: Anti-masking
- Supports standard PoE and 12 VDC

▪ Specification






Detection performance	
Detection Range	60m
Detection Angle	100°
Velocity range	- 8.7 to 8.7 m/s
Radar transmit power	≤20 dBm
Microwave Frequency	24.05 ~ 24.25GHz
Max. Target number	32
Range measurement accuracy	± 0.75m
Velocity measurement accuracy	± 0.1m/s
Date Fresh rate	10 frames / s
Features	
Zones	8
Exception detection	Communication failure alarm, Movement alarm, Anti-masking detection alarm
Tamper-Proof	Tampering alarm
Schedule	Auto Arm/Disarm Schedule
Firmware undate tools	Web / iVMS-4200
Configuration tools	Web / iVMS-4200
Protocol	HTTP, DNS, NTP, TCP, UDP, DHCP, ARP, SSH
Interface	
Alarm output	4 Relay Outputs(NO/NC)
Relay output	3-ch: 0.5A/125VAC, breakdown voltage: 1kV 1-ch: 10A/240VAC. Breakdown voltage: 2.5kV
Netowrk interface	1 RJ45 10M/100M self-adaptive, PoE
Power interface	802.3at standard PoE or 12VDC
Serial port	RS232
Indicator	Dual-color LED
RF Transmission	
RF Modulation	FMCW
Electrical characteristics	
Power supply	Standard PoE / 12VDC
Power Consumption	6W
General	
Operation temperature	-40°C to 65°C
Operation humidity	10% to 90%
Shell material	PC+ABS
Dimension(WxHxD)	206 mm × 228 mm × 61 mm (8.11" × 8.98" × 2.40")
IP Rate	IP67
IK Rate	IK09
Anti-corrosion	NEMA 4X
Weight	1.84 kg (4.06 lb)
Application scenario	Outdoor
Color	White
Installation height	1.2 - 4m (Recommend Height: 2.5m)
Installation method	Multiple installations with different brackets
Bracket	Multiple brackets

▪ **Dimension**



▪ **Accessory**

▪ **Included**

DS-PRB-1310	DS-PRB-1200	DS-PRB-1120	DS-PRB-2200	DS-PRB-1110
Radar bracket	Radar bracket	Radar bracket	Radar bracket	Radar bracket
				

▪ **Available Model**

DS-PR1-60