



DS-2DE7232IW-AE (B) 2 MP 32 × IR Network Speed Dome



Hikvision DS-2DE7232IW-AE 2 MP 32× IR Network Speed Dome adopts 1/2.8" progressive scan CMOS chip. With the 32× optical zoom lens, the camera offers more details over expansive areas.

This series of cameras can be widely used for wide ranges of high-definition, such as the rivers, roads, railways, airports, squares, parks, scenic spots, and venues.

- 1/2.8" progressive scan CMOS
- Up to 1920 × 1080@60fps resolution
- Excellent low-light performance with powered-by-DarkFighter technology
- 32 × optical zoom, 16 × digital zoom
- WDR, HLC, BLC, 3D DNR, Defog, EIS, Regional Exposure, Regional Focus
- Up to 150 m IR distance
- 24 VAC & Hi-PoE
- Support H.265+/H.265 video compression

Specifications

Camera Module	
Image Sensor	1/2.8" progressive scan CMOS
Min. Illumination	Color: 0.005 Lux @(F1.6, AGC ON) B/W: 0.001 Lux @(F1.6, AGC ON) 0 Lux with IR
White Balance	Auto/Manual/ATW (Auto-tracking White Balance)/Indoor/Outdoor/Fluorescent Lamp/Sodium Lamp
Gain	Auto/Manual
Shutter Time	50Hz: 1 to 1/30,000 s 60Hz: 1 to 1/30,000 s
Day & Night	IR Cut Filter
Digital Zoom	16 ×
Privacy Mask	24 programmable privacy masks, mask color configurable
Focus Mode	Auto/Semi-automatic/Manual
WDR	120 dB WDR
Lens	
Focal Length	4.8 to 153 mm, 32× optical zoom
Zoom Speed	Approx. 5.6 s (optical lens, wide-tele)
Field of View	Horizontal field of view: 55.6° to 2.04° (wide -tele) Vertical field of view: 32.4° to 1.14° (wide -tele) Diagonal field of view: 63° to 2.34° (wide -tele)
Working Distance	10 to 1500 mm (wide-tele)
Aperture Range	F1.2 to F4.4
Infrared	
IR Distance	150 m
Smart IR	Yes
PTZ	
Movement Range (Pan)	360° endless
Pan Speed	Configurable, from 0.1°/s to 160°/s Preset speed: 240°/s
Movement Range (Tilt)	From -15° to 90° (auto-flip)
Tilt Speed	Configurable, from 0.1°/s to 120°/s Preset speed: 200°/s
Proportional Zoom	Yes
Presets	300
Patrol Scan	8 patrols, up to 32 presets for each patrol
Pattern Scan	4 pattern scans, record time over 10 minutes for each scan
Power-off Memory	Yes
Park Action	Preset/Pattern Scan/Patrol Scan/Auto Scan/Tilt Scan/Random Scan/Frame Scan/Panorama Scan

3D Positioning	Yes
PTZ Position Display	Yes
Preset Freezing	Yes
Scheduled Task	Preset/Pattern Scan/Patrol Scan/Auto Scan/Tilt Scan/Random Scan/Frame Scan/Panorama Scan/Dome Reboot/Dome Adjust/Aux Output
Compression Standard	
Video Compression	Main Stream: H.265+/H.265/H.264+/H.264 Sub-stream: H.265/H.264/MJPEG Third Stream: H.265/H.264/MJPEG
H.264 Type	Baseline profile/main profile/high profile
H.264+	Yes
H.265 Type	Main profile
H.265+	Yes
Video Bitrate	32 Kbps to 16384 Kbps
Audio Compression	G.711alaw/G.711ulaw/G.722.1/G.726/MP2L2/PCM
Audio Bitrate	G.711alaw/G.711ulaw: 64 Kbps G.722.1/G.726: 16 Kbps MP2L2/PCM: 32 Kbps/64 Kbps/128 Kbps
SVC	Yes
Smart Features	
Basic Event	Motion Detection, Alarm Input, Alarm Output, Video Tampering Detection, Exception
Smart Event	Face Detection, Intrusion Detection, Line Crossing Detection, Region Entrance Detection, Region Exiting Detection, Object Removal Detection, Unattended Baggage Detection, Audio Exception Detection
Smart Record	ANR (Automatic Network Replenishment), dual-VCA
Region of Interest	Main stream, sub-stream, and third stream respectively support four fixed areas.
Auto-Tracking	Yes
Image	
Max. Resolution	1920 × 1080
Main Stream	50Hz: 50fps (1920 × 1080, 1280 × 960, 1280 × 720) 60Hz: 60fps (1920 × 1080, 1280 × 960, 1280 × 720)
Sub-Stream	50Hz: 25fps (704 × 576, 640 × 480, 352 × 288) 60Hz: 30fps (704 × 480, 640 × 480, 352 × 240)
Third Stream	50Hz: 25fps (1920 × 1080, 1280 × 960, 1280 × 720, 704 × 576, 640 × 480, 352 × 288) 60Hz: 30fps (1920 × 1080, 1280 × 960, 1280 × 720, 704 × 480, 640 × 480, 352 × 240)
Image Enhancement	BLC, HLC, defog, 3D DNR, EIS, regional exposure, regional focus
Network	
Network Storage	Built-in memory card slot, support Micro SD/SDHC/SDXC, up to 256 GB; NAS (NFS, SMB/ CIFS), ANR
Alarm Linkage	Alarm actions, such as Notify Surveillance Center, Upload to FTP, Send Email, Trigger Recording, Recording Linkage, and Alarm Input.

Protocols	IPv4/IPv6, HTTP, HTTPS, 802.1x, Qos, FTP, SMTP, UPnP, SNMP, DNS, DDNS, NTP, RTSP, RTCP, RTP, TCP/IP, UDP, IGMP, ICMP, DHCP, PPPoE, Bonjour
API	ONVIF (Profile S, Profile G, Profile T), ISAPI, SDK
Simultaneous Live View	Up to 20 channels
User/Host	Up to 32 users 3 user levels: administrator, operator and user
Security Measures	User authentication (ID and PW), Host authentication (MAC address); HTTPS encryption; IEEE 802.1x port-based network access control; IP address filtering
Client	iVMS-4200, iVMS-4500, iVMS-5200, Hik-Connect
Web Browser	IE 8 to 11, Chrome 31.0+, Firefox 30.0+, Edge 16.16299+
Interface	
Alarm Interface	2-ch alarm input and 1-ch alarm output
Audio Interface	1-ch audio input and 1-ch audio output
Network Interface	1 RJ45 10 M/100 M Ethernet, Hi-PoE
General	
Language (Web Browser Access)	32 languages. English, Russian, Estonian, Bulgarian, Hungarian, Greek, German, Italian, Czech, Slovak, French, Polish, Dutch, Portuguese, Spanish, Romanian, Danish, Swedish, Norwegian, Finnish, Croatian, Slovenian, Serbian, Turkish, Korean, Traditional Chinese, Thai, Vietnamese, Japanese, Latvian, Lithuanian, Portuguese (Brazil)
Power	24 VAC, 2.5 A, 50/60Hz and Hi-PoE, 42.5 to 57 VDC, 1.41 A Max. 40 W, including Max. 19 W for IR and Max. 10 W for heater
Working Environment	Temperature: -30°C to 65°C (-22°F to 149°F), humidity: ≤ 90%
Protection Level	IP66 Standard, IK10 (excluding glass window), 6000V Lightning Protection, Surge Protection and Voltage Transient Protection
Material	ADC 12, PC, PC+10%GF
Dimension	Φ 220 mm × 353.4 mm (Φ 8.66" × 13.91")
Weight	Approx. 4.5 kg (9.92 lb.)

DORI

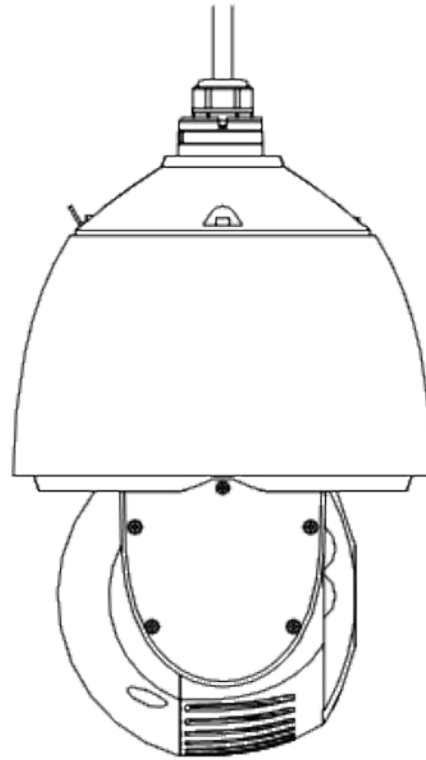
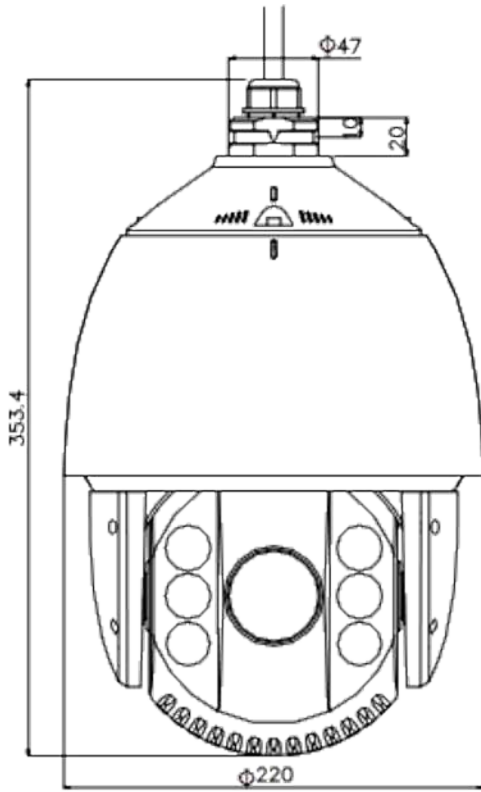
The DORI (detect, observe, recognize, identify) distance gives the general idea of the camera ability to distinguish persons or objects within its field of view. It is calculated based on the camera sensor specification and the criteria given by EN 62676-4: 2015.

DORI	Detect	Observe	Recognize	Identify
Definition	25 px/m	63 px/m	125 px/m	250 px/m
Distance (Tele)	1963.6 m (6442.4 ft)	779.2 m (2556.5 ft)	392.7 m (1288.5 ft)	196.4 m (644.2 ft)

Available Model

DS-2DE7232IW-DE, 24 VAC & Hi-PoE

Dimensions



Unit: mm

Accessory

Optional



**DS-1604ZJ-Box-Corner
Wall Mount with Junction
Box**



**DS-1602ZJ
Wall Mount**



**DS-1604ZJ-Box
Wall Mount with Junction
Box**



**DS-1604ZJ
Wall Mount**



**DS-1682ZJ
Extendable Pole for
Pendant Mount**



**DS-1604ZJ-pole
Vertical Pole Mount**



**DS-1604ZJ-Box-Pole
Vertical Pole Mount with
Junction Box**



**DS-1604ZJ-Corner
Corner Mount**



DS-1661ZJ
Pendant Mount



DS-1663ZJ
Ceiling Mount



DS-1681ZJ
Installation Adapter



DS-1673ZJ
Horizontal Pole Mount



DS-1660ZJ
Parapet Wall Mount



DS-1662ZJ
Pendant Mount



DS-1667ZJ
**Extendable Pole for
Pendant Mount**



DS-1619ZJ
Gooseneck Mount



DS-1005KI
USB Joy-stick



HKA-A24250-230(EU)
HKKD-12077(USA)
HKA-A24250-230-BS(UK)
PSE-A1525/5060(JP)
Power Adapter



LAS60-57CN-RJ45
Hi-PoE midspan



DS-1100KI
Network Keyboard

**DS-1673ZJ should be used with DS-1661ZJ or DS-1602ZJ.*