



DS-2CE56H0T-IT3ZF 5 MP Turret Camera



Key Features

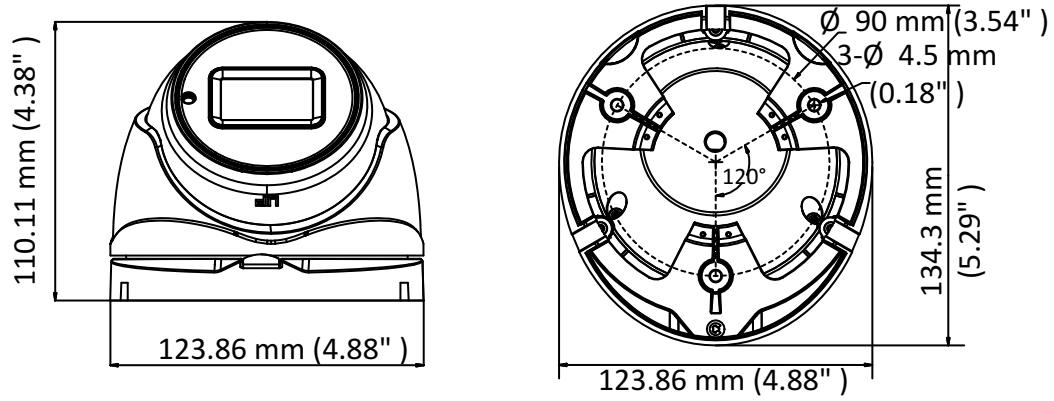
- 5 MP high performance COMS
- 2560 × 1944 resolution
- 2.7 mm to 13.5 mm motorized vari-focal lens
- EXIR 2.0, smart IR, up to 40 m IR distance
- OSD menu, 2D DNR, DWDR
- 4 in 1 video output (switchable TVI/AHD/CVI/CVBS)
- IP67
- Up the coax (HIKVISION-C)

| Camera | |
|-----------------------------------|---|
| Image Sensor | 5 MP CMOS image sensor |
| Resolution | 2560 (H) × 1944 (V) |
| Min. Illumination | Color: 0.01 Lux @ (F1.2, AGC ON), 0 Lux with IR |
| Shutter Time | PAL: 1/25 s to 1/50, 000 s NTSC: 1/30 s to 1/50, 000 s |
| Lens | 2.7 mm to 13.5 mm motorized vari-focal lens |
| Horizontal Field of View | 95.7° to 29.1° |
| Lens Mount | Φ 14 |
| Day & Night | IR cut filter |
| Angle Adjustment | Pan: 0° to 360°; Tilt: 0° to 75°; Rotate: 0° to 360° |
| Synchronization | Internal synchronization |
| Frame Rate | PAL: 5 MP@20fps, 4 MP@25fps, 1080p@25fps NTSC: 5 MP@20fps, 4 MP@30fps, 1080p@30fps |
| Menu | |
| AGC | Support |
| D/N Mode | Auto/Color/BW (Black and White) |
| White Balance | ATW/MWB |
| BLC | Support |
| DWDR (Digital Wide Dynamic Range) | Support |
| Functions | Brightness, Sharpness, DNR, Mirror, Smart IR |
| Interface | |
| Video Output | 1 HD analog output |
| Switch Button | TVI/AHD/CVI/CVBS |
| General | |
| Operating Conditions | -40 °C to 60 °C (-40 °F to 140 °F), humidity: 90% or less (non-condensation) |
| Power Supply | 12 VDC ±25% |
| Power Consumption | Max. 6.3 W |
| Protection Level | IP67 |
| Material | Metal |
| IR Range | Up to 40 m |
| Communication | Up the coax, Protocol: HIKVISION-C (TVI output) |
| Dimensions | 123.86 mm × 134.3 mm × 110.11 mm (4.88" × 5.29" × 4.38") |
| Weight | Approx. 580 g (1.28 lb.) |

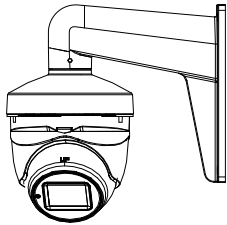
Order Model

DS-2CE56H0T-IT3ZF

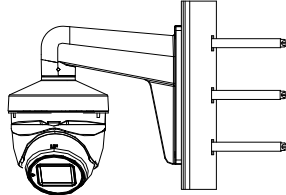
Dimension



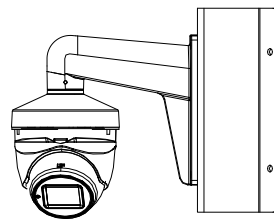
Accessory



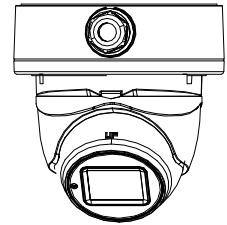
DS-1273ZJ-130-TRL
Wall Mount



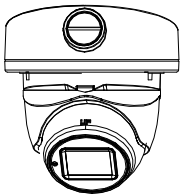
DS-1275ZJ-SUS
Vertical Pole Mount



DS-1276ZJ-SUS
Corner Mount



DS-1280ZJ-M
Junction Box



DS-1281ZJ-M
Inclined Ceiling Mount