



DS-2CE16D9T-AIRAZH HD1080P WDR Motorized VF EXIR Bullet Camera



Key Feature

- 2 Megapixel high-performance CMOS
- Analog HD output, up to 1080P resolution
- 5-50mm motorized VF lens, auto focus
- True Day/Night
- OSD menu, 3D DNR, Smart IR
- True WDR, up to 120dB
- Up to 120m IR distance
- IP66 weatherproof
- Up the Coax(HIKVISION-C, Pelco-C protocol)

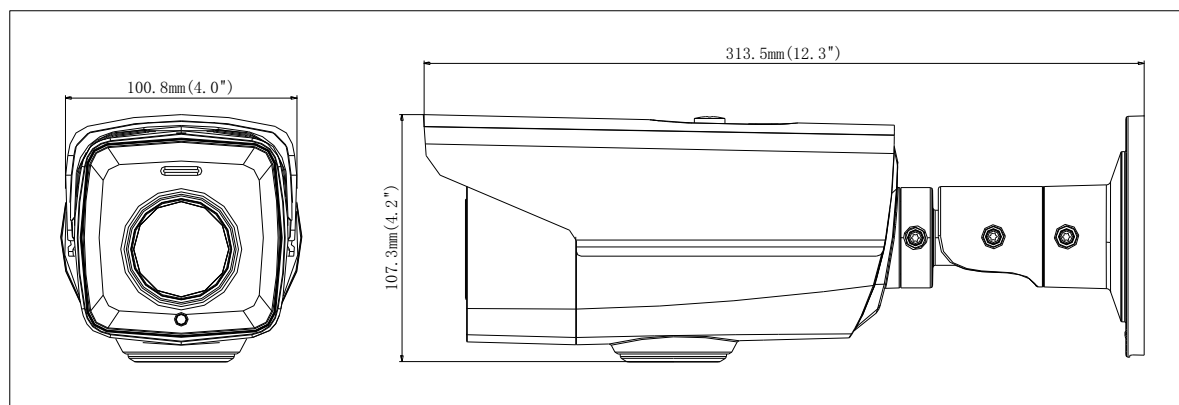
Specification

Camera	
Image Sensor	2MP CMOS Image Sensor
Signal System	PAL/NTSC
Effective Pixels	1944(H)*1092(V)
Min. illumination	0.003 Lux @ (F1.2,AGC ON), 0 Lux with IR
Shutter Time	1/25(1/30)s to 1/50,000s
Lens	5-50mm motorized VF lens
	Angle of view: 59.8°-6.2°
Day & Night	ICR
Angle Adjustment	Pan: 0° - 360°; Tilt:0° - 90°; Rotate: 0° - 360°
Synchronization	Internal synchronization
WDR	120dB
Video Frame Rate	1080P@25/30fps
HD Video Output	1 Analog HD output
CVBS Output	1Vp-p Composite Output(75Ω/BNC)
S/N Ratio	>62dB
Menu	
Camera ID	On/off (15 characters, position programmable)
AGC	Support
D/N Mode	Color/BW/EXT
White Balance	ATW/ AWC-SET/ Manual
Privacy Mask	On/Off, maximum 8 zones
Motion Detection	On/Off, maximum 4 zones
BLC	Support
Anti-flicker	On/off
Language	Chinese/ English
Functions	HSBLC, Digital noise reduction, Digital zoom(62x), Slow shutter, Mirror, Defog, Defect pixel correction, SMART D-ZOOM, LSC (Lens Shading Correction)
Scene	Indoor/ Outdoor/ Indoor1/ LOW-LIGHT
General	
Operating Conditions	-40 °C – 60 °C (-40 °F – 140 °F) , Humidity 90% or less (non-condensing)
Power Supply	AC24V±15%/ DC12V±15%, Heater is available with 24VAC only
Power Consumption	Max. 20W
Protection Level	IP66
IR Range	Up to 120m
Communication	Up the coax, Protocol: Pelco-C(CVBS output), HIKVISION-C(TVI output)
Dimensions	313.5x100.8x107.3mm
Weight	1650g

Order Model

DS-2CE16D9T-AIRAZH

Dimension



Accessory



DS-1275ZJ-SUS

Vertical Pole Mount



DS-1280ZJ-S

Junction Box



DS-1H18

Video Balun



DS-TT-X41T

TVI Tester



DS-1276ZJ-SUS

Horizontal Pole Mount