



## DS-2CE12HFT-F28 5 MP Full Time Color Camera

ColorVu



- 5 MP, 2560 × 1944 resolution
- 24-hour color image
- 130 dB true WDR, 3D DNR
- 2.8 mm fixed focal lens
- Smart Light, up to 40 m white light distance
- 4 in 1 video output (switchable TVI/AHD/CVI/CVBS)
- IP67

## Specification

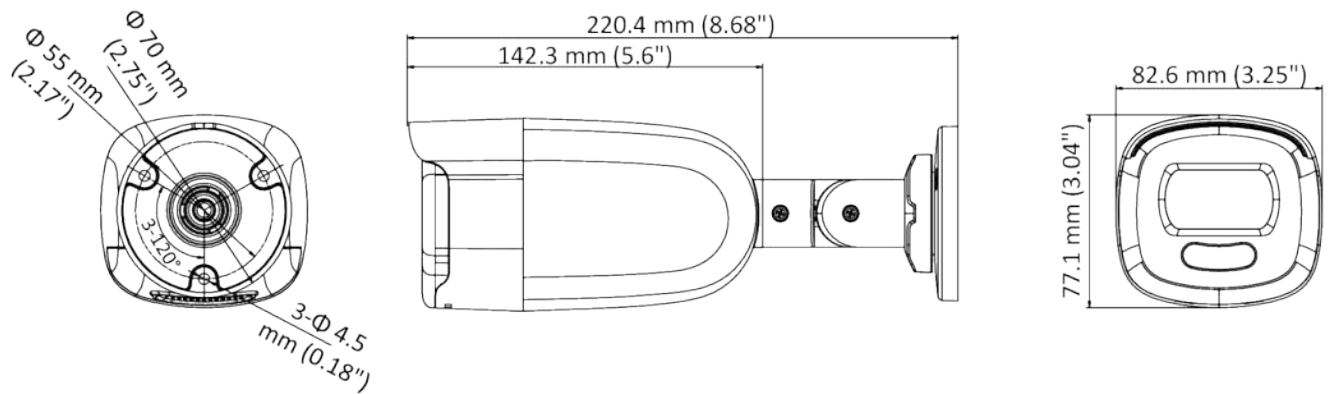
| Camera                   |   |
|--------------------------|---|
| Image Sensor             | 5 MP CMOS   |
| Signal System            | PAL/NTSC  |
| Resolution               | 2560 (H) × 1944 (V)   |
| Frame Rate               | TVI: 5MP@20fps, 4MP@30fps, 4MP@25fps, 1080p@30fps, 1080p@25fps<br>CVI: 4MP@30fps, 4MP@25fps<br>AHD: 5MP@20fps, 4MP@30fps, 4MP@25fps<br>CVBS: PAL/NTSC |
| Min. illumination        | 0.0005 Lux @ (F1.0, AGC ON), 0 Lux with White Light   |
| Shutter Time             | PAL: 1/25 s to 1/50, 000 s<br>NTSC: 1/30 s to 1/50, 000 s   |
| Slow Shutter             | Max. 16 times   |
| Lens                     | 2.8 mm fixed lens   |
| Horizontal Field of View | 2.8 mm, horizontal FOV: 99.7°, vertical FOV: 72°, diagonal FOV: 139.8°  |
| Lens Mount               | M16   |
| Strobe Light Alarm       | Yes   |
| Day & Night              | Color   |
| WDR (Wide Dynamic Range) | ≥130 dB   |
| Angle Adjustment         | Pan: 0 to 360°, Tilt: 0 to 180°, Rotation: 0 to 360°  |
| Menu                     |   |
| White Light              | Auto/Off  |
| Image Mode               | STD/HIGH-SAT  |
| AGC                      | Yes   |
| Day/Night Mode           | Color   |
| White Balance            | Auto/Manual   |
| AE (Auto Exposure) Mode  | WDR/BLC/HLC/Global/HLS/Anti-banding   |
| Privacy Mask             | 4 programmable privacy masks  |
| Motion Detection         | 4 programmable motion areas   |
| Noise Reduction          | 3D DNR  |
| Language                 | English   |
| Function                 | Brightness, Sharpness, Mirror, Smart Light  |
| Interface                |   |
| Video Output             | Switchable TVI/AHD/CVI/CVBS   |
| General                  |   |
| Operating Conditions     | -40 °C to 60 °C ( -40 °F to 140 °F), humidity 90% or less (non -condensing)   |
| Power Supply             | 12 VDC ± 25%<br><i>*You are recommended to use one power adapter to supply the power for one camera.</i>  |
| Power Consumption        | Max. 4.9 W  |
| Protection Level         | IP67  |
| Material                 | Metal   |

|                   |  |
|-------------------|--|
| White Light Range | Up to 40 m   |
| Communication     | HIKVISION-C  |
| Dimensions        | 82.6 mm × 77.1 mm × 220.4 mm (3.25" × 3.04" × 8.68") |
| Weight            | Approx. 565 g (1.25 lb.)                             |

## Available Model

DS-2CE12HFT-F28

## Dimension



## Accessory



**DS-1280ZJ-XS**  
**Junction Box**