



DS-2CD6D52G0-IH(S) Dual-Directional PanoVu Camera



- 1/2.7" Progressive Scan CMOS
- Dual lens
- Flexible Lens: P: -90 to 90°; T: 0 to 60° (2.8mm), 0 to 70° (4/6mm); R: 0 to 355°
- H.265, H.265+, H.264, H.264+
- 2560 × 1920 @ 30fps
- 120dB WDR
- Built-in micro SD/SDHC/SDXC card slot, up to 256 GB
- IP67, IK10



Specifications

Camera	
Image Sensor	1/2.7" Progressive Scan CMOS
Min. Illumination	Color: 0.009 Lux @ (F1.6, AGC ON), B/W: 0.0018 Lux @ (F1.6, AGC ON), 0 Lux with IR
Shutter Speed	1s to 1/100,000 s
Slow Shutter	Yes
Wide Dynamic Range	120dB
Day & Night	ICR Cut
Linkage Method	Upload to FTP/NAS/memory card, notify surveillance center, send email
Angle Adjustment	P: -90 to 90°; T: 0 to 60° (2.8mm), 0 to 70° (4/6mm); R: 0 to 355°
Lens	
Lens Type & FOV	2.8mm @ F1.6 horizontal FOV 97°, vertical FOV 70°, diagonal FOV 128° 4 mm @ F1.6, horizontal FOV 79°, vertical FOV 57°, diagonal FOV 104° 6 mm @ F1.6, horizontal FOV 49°, vertical FOV 35°, diagonal FOV 63°
Aperture	F1.6
Lens Mount	M12
Illuminator	
IR Range	Up to 10m
Wavelength	850nm
Smart Supplement Light	Yes
Video	
Max. Resolution	2560 × 1920
Main Stream	50Hz: 25fps ((2560 × 1920, 2048 × 1536); 60Hz: 30fps (2560 × 1920, 2048 × 1536)
Sub Stream	50Hz: 25fps (640 × 480, 704 × 576); 60Hz: 30fps (640 × 480, 704 × 480)
Third Stream	50Hz: 25 fps (1920 × 1080, 1280 × 720, 640 × 480, 704 × 576); 60Hz: 30 fps (1920 × 1080, 1280 × 720, 640 × 480, 704 × 480)
Video Compression	H.265/H.264/MJPEG
Video Bit Rate	32 Kbps to 16 Mbps
H.264 Type	Baseline Profile/Main Profile/High Profile



H.265 Type	Main Profile
H.264+	Main Stream supports
H.265+	Main Stream supports
Bit Rate Control	CBR/VBR
Stream Type	Main stream/Sub-stream/Third stream
Scalable Video Coding (SVC)	H.265 and H.264 support
Region of Interest (ROI)	4 fixed regions for each stream
Audio (-S)	
Environment Noise Filtering	Yes
Audio Sampling Rate	8 kHz/16 kHz/32kHz/44.1kHz/48kHz
Audio Compression	G.711/G.722.1/G.726/MP2L2/PCM
Audio Bit Rate	64Kbps (G.711ulaw), 64Kbps (G.711alaw), 16Kbps(G.722.1), 16Kbps(G.726), 32-160Kbps (MP2L2), 250Kbps(PCM)
Audio Type	Stereo
Network	
Simultaneous Live View	Up to 20 channels
API	ONVIF (PROFILE S, PROFILE G, PROFILE T), ISAPI, SDK
Protocols	TCP/IP, ICMP, HTTP, HTTPS, FTP, SFTP, DHCP, DNS, DDNS, RTP, RTSP, RTCP, PPPoE, NTP, UPnP, SMTP, SNMP, IGMP, 802.1X, QoS, IPv6, UDP, Bonjour, SSL/TLS
Smooth Streaming	Yes
User/Host	Up to 32 users 3 levels: Administrator, Operator and User
Security	Password protection, complicated password, HTTPS encryption, 802.1X authentication (EAP-TLS, EAP-LEAP, EAP-MD5), watermark, IP address filter, basic and digest authentication for HTTP/HTTPS, WSSE and digest authentication for ONVIF, RTP/RTSP over HTTPS, control timeout settings, TLS 1.2
Network Storage	NAS (NFS, SMB/CIFS)
Client	iVMS-4200, Hik-Connect
Web Browser	Plug-in required live view: IE8+ Plug-in free live view: Chrome 57.0+, Firefox 52.0+, Safari 11+ Local service: Chrome 41.0+, Firefox 30.0+
Image	
Day/Night Switch	Day, Night, Auto, Schedule, Triggered by Alarm In (-S)



Picture Overlay	LOGO picture can be overlaid on video with 128 × 128 24bit bmp format
Image Enhancement	BLC, HLC, Defog, EIS, 3D DNR
Image Parameters Switch	Yes
Image Settings	Saturation, brightness, contrast, sharpness, white balance adjustable by client software or web browser
Interface	
Alarm	-S: 1 input, 1 output (max. 36 VDC, 30mA)
Audio	Without -S: 2 built-in mics -S: 2 built-in mics, 1 line in, 1 line out
RS-485	-S: 1 RS-485 interface, half duplex
On-board Storage	Built-in micro SD/SDHC/SDXC slot, up to 256 GB
Reset	Reset via reset button on camera body, web browser and client software
Communication Interface	1 RJ45 10M/100M self-adaptive Ethernet port
Heater	Yes
Smart Feature-Set	
Smart Event	No
Intelligent (Traditional Algorithm)	
Basic Event	Motion detection, video tampering alarm, exception (network disconnected, IP address conflict, illegal login, HDD full, HDD error)
General	
Online Upgrade	Yes
Firmware Version	V5.5.94
Web Client Language	32 languages English, Russian, Estonian, Bulgarian, Hungarian, Greek, German, Italian, Czech, Slovak, French, Polish, Dutch, Portuguese, Spanish, Romanian, Danish, Swedish, Norwegian, Finnish, Croatian, Slovenian, Serbian, Turkish, Korean, Traditional Chinese, Thai, Vietnamese, Japanese, Latvian, Lithuanian, Portuguese (Brazil)
General Function	Anti- flicker, heartbeat, mirror, privacy masks
Storage Conditions	-40 °C to 60 °C (-40 °F to 140 °F). Humidity 95% or less (non-condensing)
Startup and Operating Conditions	-40° to 60°, humidity 95% or less (non-condensing)
Power Supply	12 VDC, POE (802.3af)

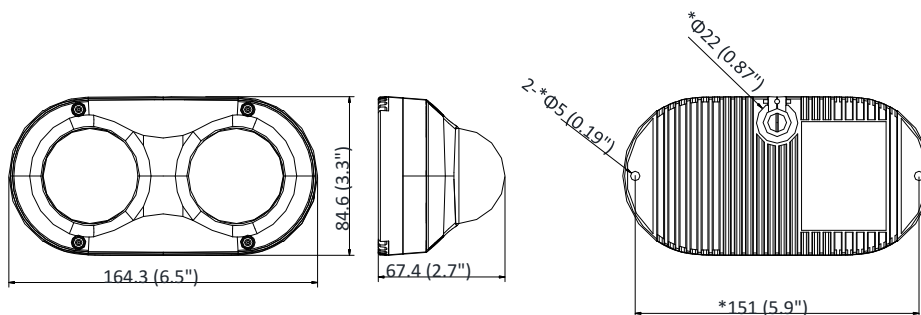
Power Consumption and Current	12VDC, 0.9A, max. 11 W POE: (802.3af, 36V to 57V), 0.3 A to 0.2 A, max. 11 W
Power Interface	Ø5.5 mm coaxial power plug
Material	Metal
Camera Dimension	164.3 × 84.6 × 67.4 mm (6.5" × 3.3" × 2.7")
Package Dimension	227 × 172 × 125 mm (8.9" × 6.8" × 4.9")
Camera Weight	770g (1.7 lb.)
With Package Weight	1053g (2.3 lb.)
Approval	
Class	Class B
Protection	Ingress protection: IP67, IK10
EMC	FCC (47 CFR Part 15, Subpart B); CE-EMC (EN 55032: 2015, EN 61000-3-2: 2014, EN 61000-3-3: 2013, EN 50130-4: 2011 +A1: 2014); RCM (AS/NZS CISPR 32: 2015); IC (ICES-003: Issue 6, 2016); KC (KN 32: 2015, KN 35: 2015)
Safety	UL (UL 60950-1); CB (IEC 60950-1:2005 + Am 1:2009 + Am 2:2013); CE-LVD (EN 60950-1:2005 + Am 1:2009 + Am 2:2013); BIS (IS 13252(Part 1):2010+A1:2013+A2:2015)
Environment	CE-RoHS (2011/65/EU); WEEE (2012/19/EU); Reach (Regulation (EC) No 1907/2006)

* Listed resolutions are only selectable options. It does not mean that all streams can work at their maximum resolution at the same time.

Available Model

DS-2CD6D52G0-IH (2.8/4/6 mm), DS-2CD6D52G0-IHS (2.8/4/6 mm)

Dimension



Unit: mm(inch)