



DS-2CD6D24FWD-(I)Z(H)(S)/NFC Quad-Directional Varifocal PanoVu Camera



smart IPC

- 1/2.7" Progressive Scan CMOS
- 1920 × 1080 @ 30fps
- FOV: horizontal 30° to 96.3°, vertical 17° to 54°, diagonal 34° to 121°
- H.265, H.264, H.265+, H.264+
- Fiber optical transmission, optional
- 10 m to 30 m IR range
- IP67, IK10
- 4 flexible lens
- 6 behavior analyses, 4 exception detection, and face detection

Specifications

Camera		
Image Sensor	1/2.7" Progressive Scan CMOS	
Min. Illumination	Color: 0.006 Lux @ (F1.2, AGC ON), 0.01 Lux @ (F1.6, AGC ON) B/W: 0.002 Lux @ (F1.2, AGC ON); 0.003 Lux @ (F1.6, AGC ON) 0 Lux with IR on	
Shutter Speed	1 s - 1/100,000 s	
Auto-iris	No	
Day & Night	IR Cut Filter	
Digital Noise Reduction	3D DNR	
WDR	120 dB	
3-Axis Adjustment	Four flexible lens in one track, slide range: -180° to 180°, tilt: 0° to 135°, rotate: 0° to 355°	
Lens		
Focal length	2.8mm to 12mm	
Aperture	F1.6	
FOV	Horizontal field of view: 30° to 96.3° Vertical field of view: 17° to 54° Diagonal field of view: 34° to 121°	
Lens Mount	Ø14	
IR		
IR Range	10 m to 30 m	
Wavelength	850 nm	
Compression Standard		
Video Compression	Main stream: H.265+/H.265/H.264+/H.264 Sub stream: H.265/H.264/MJPEG Third stream: H.265/H.264	
H.264 Type	Baseline Profile/Main Profile/High Profile	
H.264+	Support	
H.265 Type	Main Profile	
H.265+	Support	
Video Bit Rate	32 Kbps to 16 Mbps	
Audio Compression	G.711/G.722.1/G.726/MP2L2/PCM/AAC	
Audio Bit Rate	64Kbps(G.711)/16Kbps(G.722.1)/16Kbps(G.726)/32-192Kbps(MP2L2)/16-64Kbps(AAC)	
Smart Feature-set		
Behavior Analysis	Line crossing detection, intrusion detection, region entrance detection, region exiting detection, unattended baggage detection, object removal detection	
Exception Detection	Audio exception detection, scene change detection, defocus detection	
Face Detection	Yes	
Region of Interest	Support 4 fixed region for each stream	
Image		
Max. Resolution	1920 × 1080	
Original Image	Main stream	50Hz: 25fps (1920 × 1080, 1280 × 960, 1280 × 720) 60Hz: 30fps (1920 × 1080, 1280 × 960, 1280 × 720)
	Sub-stream	50Hz: 25fps (704 × 576, 640 × 480) 60Hz: 30fps (704 × 480, 640 × 480)
	Third stream	50Hz: 25fps (1920 × 1080, 1280 × 960, 1280 × 720, 704 × 576, 640 × 480)

	60Hz: 30fps (1920 × 1080, 1280 × 960, 1280 × 720, 704 × 480, 640 × 480)
Image Enhancement	BLC, 3D DNR, EIS
Image Setting	Rotate mode, saturation, brightness, contrast, sharpness, and white balance are adjustable by client software or web browser
SVC	H.264 Support
Day/Night Switch	Day/Night/Auto/Schedule/Triggered by Alarm In (-S)
Picture Overlay	LOGO picture can be overlaid on video with 128 × 128 24bit bmp format
Network	
Network Storage	Support Micro SD/SDHC/SDXC card (128G), local storage and NAS (NFS,SMB/CIFS), ANR
Alarm Trigger	Motion detection, video tampering alarm, network disconnected, IP address conflict, illegal login, HDD full, HDD error
Protocols	TCP/IP, ICMP, HTTP, HTTPS, FTP, DHCP, DNS, DDNS, RTP, RTSP, RTCP, PPPoE, NTP, UPnP, SMTP, SNMP, IGMP, 802.1X, QoS, IPv6, UDP
General Function	One-key reset, anti-flicker, mirror, heartbeat, password protection, privacy mask, watermark, IP address filter
API	ONVIF (PROFILE S, PROFILE G), ISAPI
Simultaneous Live View	Up to 20 channels
User/Host	Up to 32 users 3 levels: Administrator, Operator and User
Client	iVMS-4200
Web Browser	IE8+, Chrome31-44, Firefox 30.0 - 51
Interface	
Audio (-S)	1-ch 3.5 mm input (line in/Mic in), 1-ch 3.5mm output, dual-track, stereo
Communication Interface	1 RJ45 10M/100M/1000M Ethernet port 1 RS-485 interface (-S) 1 1000M FC fiber optical interface (-/NFC)
Alarm (-S)	2 input, 2 output (up to 24 VD, 1A or 110 VAC, 500mA)
On-board storage	Built-in Micro SD/SDHC/SDXC slot, up to 128 GB
Reset Button	Yes
Audio	
Environment Noise Filtering	Support
Audio Sampling Rate	8 kHz/16 kHz/32 kHz/44.1 kHz/48 kHz
Fiber Optical	
Interface Type	FC interface
Optical Type	Single mode, single fiber
Input/output Wavelength	Tx1310nm/1.25G, Rx1550nm/1.25G
Transmission Distance	20 km
General	
Operating Conditions	-30 °C to 60 °C (-22 °F to 140 °F). -H: -40 °C to 60 °C (-40 °F to 140 °F) Humidity 95% or less (non-condensing)
Power Supply	12 VDC ± 20%, 24 VAC ± 20% (for customization), three-core terminal block, -I, -IZHS/NFC: Hi-PoE: 42.5 VDC to 57 VDC, -Z: PoE (802.3at)
Power Consumption and Current	12 VDC ± 20%: max. 28 W/2.3 A 24 VAC ± 20%, max. 50 to 60 Hz/2.5 A (for customization) -I, -IZHS/NFC: Hi-PoE: 42.5 VDC to 57 VDC, max. 34W/0.9 A to 0.6 A -Z: PoE (802.3at): 42.5 VDC to 57 VDC, max. 17W
Protection Level	IP67, IK10
Material	Aluminum alloy, engineering plastics

Dimensions	Camera: $\varnothing 290 \text{ mm} \times 145.5 \text{ mm}$ ($\varnothing 11.42'' \times 5.73''$) Package: $453 \text{ mm} \times 393 \text{ mm} \times 385 \text{ mm}$ ($17.8'' \times 15.47'' \times 15.16''$)
Weight	Camera: Approx. 4.7 kg (10.3 lb.) With package: Approx. 7.7 kg (16.8 lb.)

**The VCA function can be enabled for any channel separately, or for both Camera 01 and Camera 03, or Camera 02 and Camera 04.*

Available Models

DS-2CD6D24FWD-Z
DS-2CD6D24FWD-IZ
DS-2CD6D24FWD-IZHS/NFC

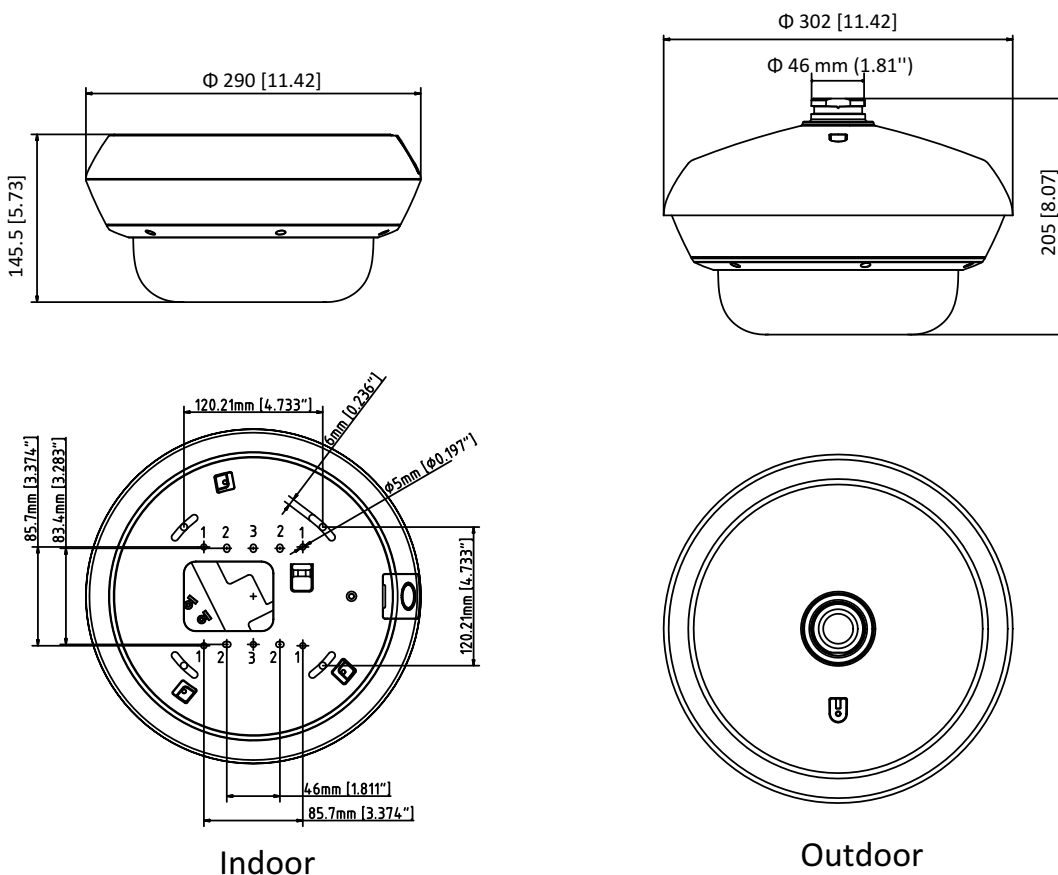
-I: IR supported

-H: heater supported, start-up in -40°C

-S: 1 audio input (line in), 1 audio output, 2 alarm input and 2 alarm output, and 1 RS-485 interface

-/NFC: fiber optical transmission supported

Dimensions



Accessories



DS-1602ZJ
Wall Mount



DS-1603ZJ
Wall Mount



DS-1663ZJ
Pendant Mount



DS-1661ZJ
Pendant Mount



DS-1275ZJ
Vertical Pole Mount



DS-1276ZJ
Corner Mount



DS-1673ZJ
Horizontal Pole Mount