



DS-2CD6984G0-IH(S)(AC)(/NFC) 180° Stitched 32 MP PanoVu Camera



Key Features

- 1/1.8" Progressive scan CMOS
- Max. resolution 8160 × 3616 @ 30 fps in panorama display mode
- Panorama field of view: horizontal FOV 180°, vertical FOV 95°
- Multiple display modes available
Panorama, original, panorama + ePTZ, and divided panorama
- Four IR LEDs, up to 20 m IR distance
- H.265, H.264
- BLC, 3D DNR, HLC, defog, EIS (only the original mode supports)
- Audio and alarm I/O, optional
- Flexible power supply options
- IP67, IK10

Specifications

Camera		
Image Sensor	1/1.8" Progressive Scan CMOS	
Min. Illumination	Color: 0.009 Lux @ (F1.2, AGC ON), 0.012 Lux @ (F1.4, AGC ON) B/W: 0.0009 Lux @ (F1.2, AGC ON), 0.0012 Lux @ (F1.4, AGC ON), 0 Lux with IR	
Shutter Speed	1/25 s to 1/100,000 s	
Slow Shutter	No	
Auto-Iris	No	
Day & Night	IR Cut Filter	
Digital Noise Reduction	3D DNR	
WDR	DWDR	
2-Axis Adjustment	Pan: 0° to 355°, tilt: 0° to 90°	
Lens		
Focal length	2.8 mm, four lenses	
Aperture	F1.4	
Focus	No	
FOV	Single lens image: horizontal FOV 102°, vertical FOV 55°, diagonal FOV 120° Panorama Image: horizontal field of view 180°, vertical FOV 95°	
Lens Mount	M12	
IR		
IR Range	Four IR LEDs, up to 20 m	
Wavelength	850 nm	
Compression Standard		
Video Compression	Main stream: H.265/H.264	
H.264 Type	Baseline Profile/Main Profile/High Profile	
H.264+	No	
H.265 Type	Main Profile	
H.265+	No	
Video Bit Rate	32 Kbps to 16 Mbps	
Audio Compression (-S)	G.711/G.722.1/G.726/MP2L2/PCM	
Audio Bit Rate (-S)	64Kbps(G.711)/16Kbps(G.722.1)/16Kbps(G.726)/32-192Kbps(MP2L2)	
SVC	H.264 and H.265 encoding	
Image		
Max. Resolution	8160 × 3616	
Main Stream	Panorama	50Hz: 25fps (8160 × 3616, 8160 × 2304) 60Hz: 30fps (8160 × 3616, 8160 × 2304)
	Original	50Hz: 25fps (3840 × 2160, 3072 × 1728, 2560 × 1440, 1920 × 1080, 1280 × 720) 60Hz: 30fps (3840 × 2160, 3072 × 1728, 2560 × 1440, 1920 × 1080, 1280 × 720)
	Panorama + ePTZ	Panorama channel 50Hz: 25fps (3840 × 2160, 3072 × 1728, 2560 × 1440, 1920 × 1080, 1280 × 720) 60Hz: 30fps (3840 × 2160, 3072 × 1728, 2560 × 1440, 1920 × 1080, 1280 × 720) ePTZ channel 50Hz: 25fps (1920 × 1080, 1280 × 720) 60Hz: 30fps (1920 × 1080, 1280 × 720)
	Divided panorama	50Hz: 25fps (2032 × 3616) 60Hz: 30fps (2032 × 3616)
Image Enhancement	BLC, 3D DNR, HLC, defog, EIS (only the original mode supports)	

Image Settings	Rotate (only the original mode supports), saturation, brightness, contrast, sharpness, AGC and white balance adjustable by client software or web browser
Day/Night Switch	Day/Night/Auto/Schedule/Triggered by Alarm In (with -S model)
Network	
Network Storage	Support Micro SD/SDHC/SDXC card (128G), local storage and NAS (NFS,SMB/CIFS), ANR
Alarm Trigger	Network disconnected, IP address conflict, illegal login, HDD full, HDD error
Protocols	TCP/IP, ICMP, HTTP, HTTPS, FTP, DHCP, DNS, DDNS, RTP, RTSP, RTCP, PPPoE, NTP, UPnP, SMTP, SNMP, IGMP, 802.1X, QoS, IPv6, UDP, Bonjour
General Function	One-key reset, anti-flicker, heartbeat, mirror, password protection, watermark, IP address filter (only the original mode supports)
Firmware Version	V5.5.70
API	ONVIF (PROFILE S, PROFILE G), ISAPI
Simultaneous Live View	Up to 20 channels
User/Host	Up to 32 users 3 levels: Administrator, Operator and User
Client	iVMS-4200
Web Browser	IE8+, Chrome 31.0-44, Firefox 30.0-51, Safari 8.0+
Interface	
Audio I/O (-S)	1 input (line in), 3.5 mm 3-section connector, max. input amplitude: 1 vpp, input impedance: 4.7 K Ω , interface type: non-equilibrium; 1 output (line out), 3.5 mm 3-section connector, max. output amplitude: 1 vpp, output impedance: 100 Ω , interface type: non-equilibrium
Communication Interface	1 RJ45 10M/100M/1000M self-adaptive Ethernet port -S: 1 RS-485
Alarm (-S)	2 Inputs, 2 outputs (max. 12 VDC, 1 A)
On-board Storage	Built-in micro SD/SDHC/SDXC slot, up to 128 GB
Reset Button	Yes
Audio (-S)	
Environment Noise Filtering	Yes
Audio Sampling Rate	8kHz/16kHz/32kHz/44.1kHz/48kHz
General	
Operating Conditions	-40 °C to +60 °C (-40 °F to +140 °F), humidity 95% or less (non-condensing)
Power Supply	Non-AC: 12 VDC \pm 20%, three-core terminal block, PoE (802.3at), class 4 -AC: 24 VAC \pm 20%, three-core terminal block, PoE (802.3at), class 4
Power Consumption and Current	Non-AC: 12 VDC, 1.4 A, max. 17 W, PoE (802.3at, 42.5 V to 57V), max. 23 W -AC: 24 VAC, 1.2 A, 50Hz, PoE (802.3at, 42.5 V to 57 V), max. 23 W
Protection Level	IP67, IK10
Material	Aluminum alloy & plastic
Dimensions	Camera: 190 \times 207 \times 208 mm (7.5" \times 8.2" \times 8.2") Package: 336 \times 261 \times 293 mm (13.2" \times 10.3" \times 11.5")
Weight	Approx. 3.5 kg (7.7 lb.)

Available Model

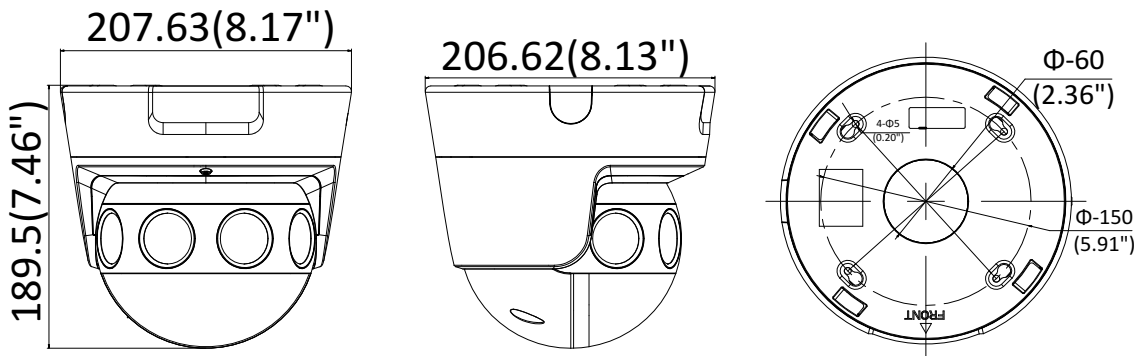
DS-2CD6984G0-IH(2.8mm), DS-2CD6984G0-IHS(2.8mm), DS-2CD6984G0-IHSAC(2.8mm), DS-2CD6984G0-IHAC(2.8mm),
DS-2CD6984G0-IHS/NFC(2.8mm), DS-2CD6984G0-IHSAC/NFC(2.8mm)

*-S: supports 2 alarm inputs, 2 alarm outputs, 1 audio input, 1 audio output, 1 RS-485

*-AC: supports 24 VAC power input and PoE (802.3at)

*-NFC: supports optical interface

Dimension



Accessory

Unit: mm



DS-1602ZJ
Wall Mount



DS-1661ZJ
Pendant Mount



Cap (Included)