



DS-2CD1623G0-I(Z) 2 MP EXIR VF Bullet Network Camera



Key Features

- 1/2.8" progressive scan CMOS
- 1920 × 1080@30fps
- 2.8 mm to 12 mm varifocal lens
- H.265+, H.265, H.264+, H.264
- Color: 0.01 Lux @ (F1.2, AGC ON), 0.018 Lux @ (F1.6, AGC ON)
- BLC/3D DNR/ROI
- Up to 30 m IR range
- IP67
- Digital WDR
- Built-in micro SD/SDHC/SDXC card slot, up to 128 GB

Specification

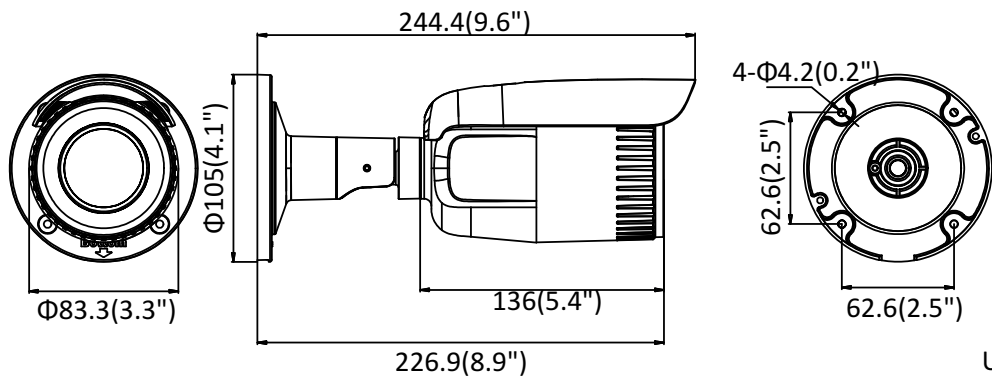
| Camera | |
|--------------------------------|---|
| Image Sensor | 1/2.8" Progressive Scan CMOS |
| Min. Illumination | Color: 0.01 Lux @(F1.2, AGC ON), 0.018 Lux @ (F1.6, AGC ON) |
| Shutter Speed | 1/3 s to 1/100, 000 s, support slow shutter |
| Slow Shutter | Yes |
| Auto-Iris | No |
| Day & Night | IR cut filter |
| Digital Noise Reduction | 3D DNR |
| WDR | Digital WDR |
| Angle Adjustment | Pan: 0° to 360°, tilt: 0° to 90°, rotation: 0° to 360° |
| Lens | |
| Focal Length | 2.8 to 12 mm |
| Aperture | F1.6 |
| Focus | -I: Manual -IZ: Auto |
| FOV | Horizontal field of view: 98° to 34° Vertical field of view: 51° to 19° Diagonal field of view: 115° to 40° |
| Lens Mount | Φ14 |
| IR | |
| IR Range | Up to 30 m |
| Wavelength | 850 nm |
| Compression Standard | |
| Video Compression | Main stream: H.265/H.264 Sub-stream: H.265/H.264/MJPEG |
| H.264 Type | Baseline Profile/Main Profile/High Profile |
| H.264+ | Main stream supports |
| H.265 Type | Main Profile |
| H.265+ | Main stream supports |
| Video Bit Rate | 32 Kbps to 8 Mbps |
| Smart Feature-set | |
| Region of Interest | 1 fixed region for main stream and sub-stream |
| Image | |
| Max. Resolution | 1920 × 1080 |
| Main Stream Max. Frame Rate | 50Hz: 25fps (1920 × 1080, 1280 × 960, 1280 × 720) 60Hz: 30fps (1920 × 1080, 1280 × 960, 1280 × 720) |
| Sub-stream Max. Frame Rate | 50Hz: 25fps (640 × 480, 640 × 360, 320 × 240) 60Hz: 30fps (640 × 480, 640 × 360, 320 × 240) |
| Image Enhancement | BLC, 3D DNR |
| Image Settings | Saturation, brightness, contrast, sharpness, AGC, white balance adjustable by client software or web browser |
| Day/Night Switch | Auto, scheduled |
| Network | |
| Network Storage | Support Micro SD/SDHC/SDXC card (128G), local storage and NAS (NFS,SMB/CIFS), ANR |
| Alarm Trigger | Motion detection, video tampering alarm, network disconnected, IP address conflicted, illegal login |
| Protocols | TCP/IP, ICMP, HTTP, HTTPS, FTP, DHCP, DNS, DDNS, RTP, RTSP, RTCP, NTP, UPnP™, SMTP, IGMP, |

| | |
|-------------------------------|---|
| | 802.1X, QoS, IPv6, UDP, Bonjour |
| General Function | One-key reset, anti-flicker, heartbeat, mirror, password protection, privacy mask, watermark |
| Firmware Version | 5.5.2 |
| API | ONVIF (PROFILE S, PROFILE G), ISAPI |
| Simultaneous Live View | Up to 6 channels |
| User/Host | Up to 32 users 3 levels: Administrator, Operator and User |
| Client | iVMS-4200, iVMS-4500, iVMS-5200 |
| Web Browser | IE8+, Chrome 31.0-44, Firefox 30.0-51, Safari 8.0+ |
| Interface | |
| Communication Interface | 1 RJ45 10M/100M self-adaptive Ethernet port |
| Video Output (Without -Z) | 1Vp-p composite output (75 Ω/BNC) |
| Reset Button | Yes |
| General | |
| Operating Conditions | -30 °C to 60 °C (-22 °F to 140 °F), humidity: 95% or less (non -condensing) |
| Power Supply | 12 VDC ± 20%, 5.5 mm coaxial power plug PoE (802.3af, class 3) |
| Power Consumption and Current | -IZ: 12 VDC, 0.9 A, max. 11 W; PoE: (802.3af, 36 V to 57 V), 0.4 A to 0.2 A, max. 12.9 W -I: 12 VDC, 0.6 A, max. 7 W; PoE: (802.3af, 36 V to 57 V), 0.3 A to 0.1 A, max. 9 W |
| Protection Level | IP67 TVS 2000V lightning protection, surge protection and voltage transient protection |
| Material | Metal |
| Dimensions | 105 mm × 105 mm × 145 mm (4.1" × 4.1" × 5.7") |
| Weight | Camera: approx. 1015 g (2.2 lb.) With package: approx. 1540 g (3.4 lb.) |

Available Models

DS-2CD1623G0-I (2.8 mm to 12 mm), DS-2CD1623G0-IZ (2.8 mm to 12 mm)

Dimension



Unit: mm

Accessory



DS-1260ZJ