



DS-2CD1323G0E-I 2 MP IR Fixed Network Turret Camera



Key Features

- 1/2.8" progressive scan CMOS
- 1920 × 1080@30fps
- 2.8 mm/4 mm fixed lens
- H.265+/H.265/H.264+/H.264
- 3D DNR
- Up to 30 m IR range
- IP67

Specifications

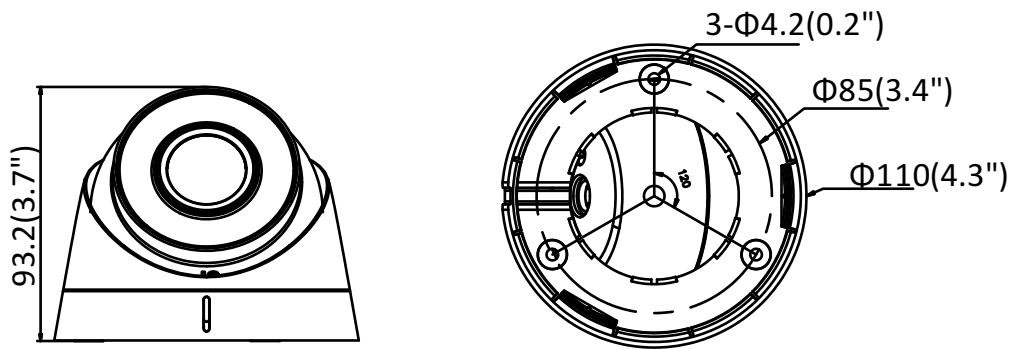
Camera	
Image Sensor	1/2.8" progressive scan CMOS
Min. Illumination	Color: 0.01 Lux @(F1.2, AGC ON), 0.028Lux @ (F2.0, AGC ON)
Shutter Speed	1/3 s to 1/100, 000 s
Slow Shutter	Yes
Auto-Iris	No
Day &Night	IR cut filter
Digital Noise Reduction	3D DNR
WDR	DWDR
Angle Adjustment	Pan: 0° to 360°, tilt: 0° to 75°, rotation: 0° to 360°
Lens	
Focal Length	2.8 mm, 4 mm
Aperture	F2.0
Focus	Fixed
FOV	2.8 mm, horizontal FOV 114.8°, vertical FOV 62°, diagonal FOV 135.5° 4 mm, horizontal FOV 86°, vertical FOV 46.5°, diagonal FOV 102.5°
Lens Mount	M12
IR	
IR Range	Up to 30 m
Wavelength	850 nm
Compression Standard	
Video Compression	Main stream: H.265+/H.265/H.264+/H.264 Sub stream: H.265/H.264/MJPEG
H.264 Type	Main Profile/High Profile/Baseline Profile
H.265 Type	Main Profile
Video Bit Rate	32 Kbps to 8 Mbps
Smart Feature-set	
Region of Interest	1 fixed region for main stream
Image	
Max. Resolution	1920 × 1080
Main Stream Max. Frame Rate	50Hz: 25fps (1920 × 1080, 1280 × 960, 1280 × 720) 60Hz: 30fps (1920 × 1080, 1280 × 960, 1280 × 720)
Sub-stream Max. Frame Rate	50Hz: 25fps (640 × 480, 640 × 360, 320 × 240) 60Hz: 30fps (640 × 480, 640 × 360, 320 × 240)
Image Enhancement	BLC, 3D DNR
Image Settings	Saturation, brightness, contrast, sharpness, AGC, white balance adjustable by client software or web browser
Day/Night Switch	Auto, scheduled, day, night
Network	
Alarm Trigger	Motion detection, video tampering alarm, illegal login
Protocols	TCP/IP, ICMP, HTTP, HTTPS, DHCP, DNS, RTP, RTSP, RTCP, NTP, IGMP, QoS, UDP
General Function	Anti-flicker, heartbeat, mirror, password protection, privacy mask, watermark
Firmware Version	V5.5.83
API	ONVIF (PROFILE S), ISAPI
Simultaneous Live View	Up to 6 channels
User/Host	Up to 32 users 3 levels: Administrator, Operator and User

Client	iVMS-4200, Hik-Connect, iVMS-5200, iVMS-4500
Web Browser	IE8+, Chrome 31.0-44, Firefox 30.0-51, Safari 8.0+
Interface	
Communication Interface	1 RJ45 10M/100M self-adaptive Ethernet port
General	
Operating Conditions	-30 °C to 60 °C (-22 °F to 140 °F), humidity: 95% or less (non-condensing)
Power Supply	12 VDC ± 25%, 5.5 mm coaxial power plug PoE (802.3af, class 3)
Power Consumption and Current	12 VDC, 0.3 A, max: 3.5 W PoE: (802.3af, 36 V to 57 V), 0.2 A to 0.1 A, Max: 4.5 W
Ingress Protection	IP67
Material	Camera body: metal, bottom base : plastic
Dimensions	Camera: Ø 110 mm × 93.2 mm (4.3" × 3.7") With package: 150 mm × 150 mm × 141 mm (5.9" × 5.9" × 5.6")
Weight	Camera: approx. 360 g (0.8 lb.) With package: approx. 610 g (1.3 lb.)

Available Model

DS-2CD1323G0E-I (2.8/4 mm)

Dimensions



Unit:mm(inch)

Accessories



DS-1272ZJ-110-TRS
Wall Mounting Bracket



DS-1275ZJ
Vertical Pole Mounting Bracket



DS-1280ZJ-S
Junction Box



DS-1276ZJ
Corner Mounting Bracket