

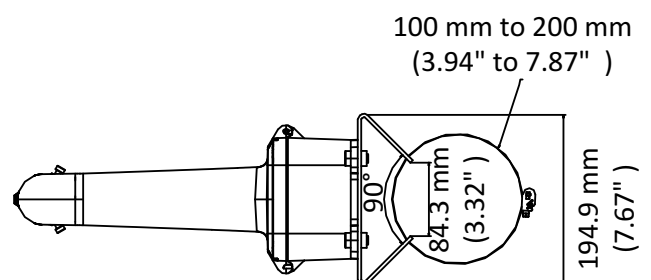
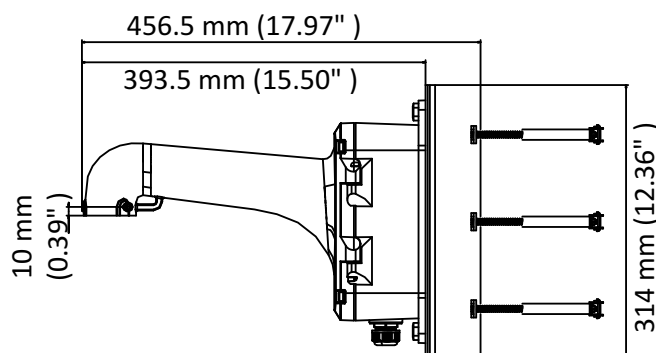
DS-1604ZJ-BOX-POLE

Vertical Pole Mount for Speed Dome

Feature

- Vertical pole mount with the junction box
- Aluminum alloy and steel with surface spray treatment
- Adjustable diameter from 100 mm to 200 mm
- Bottom outlet, and back outlet
- Able to place the power adapter (AC 24 V, 3 A) in the junction box
- The hook for safety rope facilitates speed dome's installation

Dimension



Available Model

DS-1604ZJ-BOX-POLE

Parameter

Model	DS-1604ZJ-BOX-POLE
Parameters	Vertical Pole Mount for Speed Dome
Appearance	Hikvision White
Material	Aluminum Alloy and Steel
Dimension	456.5 mm × 314 mm × 194.9 mm (17.97" × 12.36" × 7.67")
Weight	5.7 kg (12.57 lb.)

Note

- The mount should be installed on the flat surface.
- Waterproof rubber is necessary for the outdoor application.
- The wall must be capable of supporting at least 3 times as much as the total weight of the speed dome, and the mount.
- The mount's maximum load capacity is 10 kg (22 lb.).