

DS-1294ZJ-TRL

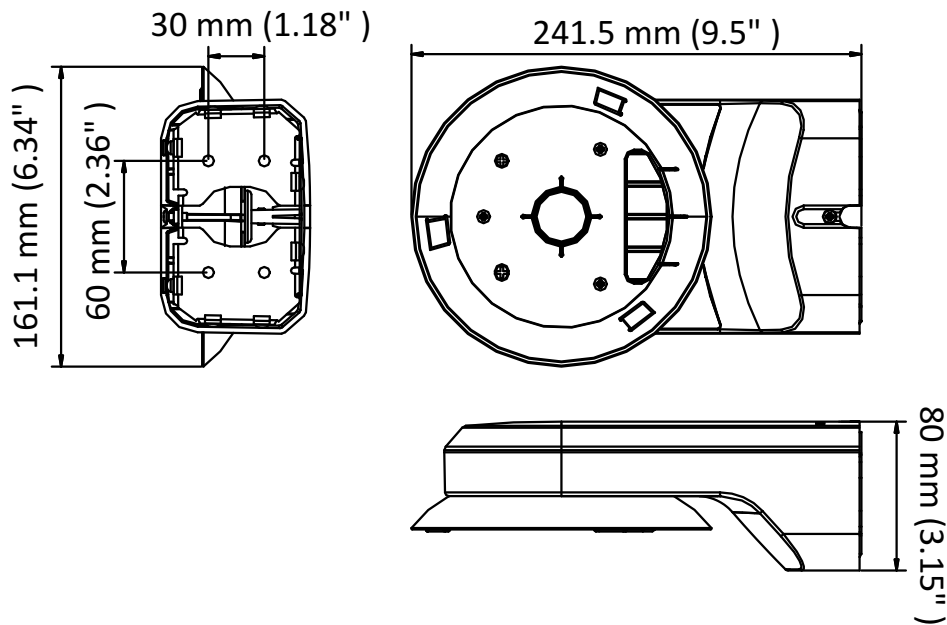
Wall Mount



Feature

- Toughened plastic with surface spray treatment
- Convenient installation
- Apply to PanoVu Mini Series Network Indoor PTZ Camera

Dimension



Available Model

DS-1294ZJ-TRL

Parameter

Model	DS-1294ZJ-TRL
Parameters	Wall Mount
Appearance	Hikvision White
Material	Plastic
Dimension	161.1 mm × 241.5 mm × 80 mm (6.34" × 9.5" × 3.15")
Weight	520 g (0.99 lb.)

Note

- The mount should be installed on the flat surface.
- The wall must be capable of supporting at least 3 times as much as the total weight of the camera, and the mount.
- The mount's maximum load capacity is 5 times of the camera.