

GARAGE OPERATOR

TSKY1-B

(Traction force 1000 N)

DC
MOTOR

Sectional and up-
and-over garage
doors up to 16 m²

Speed
0,20 m/s



100TSKY1-B

NEW

DC garage operator (traction force 1000 N) for sectional and up-and-over garage doors. Complete with built-in control unit with BUS technology included.



**Accessories for
TSKY series**
Page 138



Further accessories:
Transmitters page 234
Photocells page 239
Flashing lights page
242





MADE IN ITALY

FEATURES:

- residential use
- traction force 1000 N
- low voltage DC garage door opener
- optical encoder technology
- electronic control unit with built-in radio receiver
- built-in battery charger
- manual release mechanism

PROS:

- higher torque
- ideal for large garage doors
- in accordance with EN 12453 standards
- intensive use
- 90° installation of the motor unit possible thanks to the adjusting head of the operator
- pre-programmed electronic control unit
- exclusive "push & flip" opening system
- auto-learning of the door stroke through magnetic encoder



POSSIBILITY OF 90° INSTALLATION

To make up for the lack of space, the motor can be installed turned by 90° (right or left) with respect to the rail.



FAST AND EASY INSTALLATION

The rail group, already mounted with belt driven or chain, is completely independent from the gearmotor. You will only need to plug the motor itself on the rail.



AUTOMATION UNDER CONTROL

The magnetic encoder allows the limit switch control and the obstacle detection. The 433.92 MHz radio receiver (stores up to 30 transmitters with "Rolling Code" technology - can not be cloned) and the 2-channel transmitter complete the standard kit.

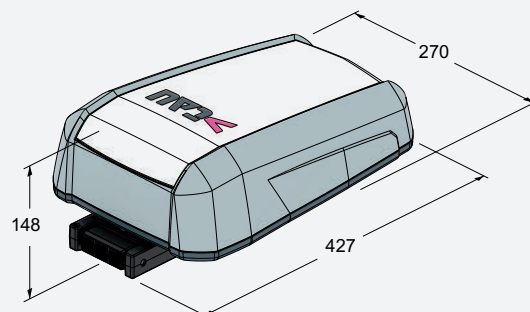


TAMPER-PROOF SYSTEM (Optional)

The anti-lift device is operating in mechanical way, so, even without power supply, is automatically activated when there is an outside intrusion attempt. (150AETSKY).

TECHNICAL DRAWINGS

Technical features	TSKY1-B
Power supply	230 V AC (50 - 60 Hz)
Motor power supply	24 V DC
Open circuit voltage	1,5 A
Power rating	300 W
Max. operating speed	0,20 m/s
Duty cycle	100 %
Operating temperature	-20° C ÷ +55° C
Motor thermal protection	-
Degree of protection IP	IP 40
Traction force	1000 N
Electronic control unit	K995MA-S





KIT

DC MOTOR

Up to 1000 N

Belt drive rail kit

T-SKYKIT1BB



Complete kit with DC gearmotor (traction force 1000 N) for sectional doors and up-and-over doors

Accessories included in the kit:



100BINBELT Belt drive rail (single piece of 2900 mm)



250K-SLIMRP Two-channel transmitter, rolling code technology, 433,92 MHz



T-SKYKIT1BB3

Complete kit with DC gearmotor (traction force 1000 N) for sectional doors and up-and-over doors

Accessories included in the kit:



100BINBELT3 Belt drive rail (3 pieces of 1 m each)



250K-SLIMRP Two-channel transmitter, rolling code technology, 433,92 MHz

Chain drive rail kit

T-SKYKIT1BC



Complete kit with DC gearmotor (traction force 1000 N) for sectional doors and up-and-over doors

Accessories included in the kit:



100BINCHAIN Chain drive rail (single piece of 2900 mm)



250K-SLIMRP Two-channel transmitter, rolling code technology, 433,92 MHz



T-SKYKIT1BC3

Complete kit with DC gearmotor (traction force 1000 N) for sectional doors and up-and-over doors

Accessories included in the kit:



100BINCHAIN3 Chain drive rail (3 pieces of 1 m each)



250K-SLIMRP Two-channel transmitter, rolling code technology, 433,92 MHz



ACCESSORIES

ASSEMBLY ACCESSORIES

Belt drive rail



100BINBELT
Belt drive rail (single piece of 2900 mm)

100BINBELT3
Belt drive rail (3 pieces of 1 m each)

100BINBELT350 NEW
Belt drive rail (single piece of 3500 mm)

100BINBELT4 NEW
Belt drive rail (single piece of 4000 mm)



100PROB
1 m extension belt drive rail

Chain drive rail



100BINCHAIN
Chain drive rail (single piece of 2900 mm)

100BINCHAIN3
Chain drive rail (3 pieces of 1 m each)

100BINCHAIN350 NEW
Chain drive rail (single piece of 3500 mm)

100BINCHAIN4 NEW
Chain drive rail (single piece of 4000 mm)



100PROC
1 m extension chain drive rail

COMMON ACCESSORIES



100BANT
Adapter for up-and-over garage doors



150AETSKY
Anti-burglary system



100BINSUPP
Set of additional fixing brackets



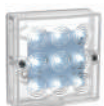
150SE
External release system to be used together with existing handle. Can be combined with: 100BANT



150SETSKY
External emergency release for sectional door



250T-CONNECT NEW
Ethernet + Wi-Fi device - to enable through Tau Open application, the use of the smartphone remotely, to open/close and check the status of the gate



900CUBEBUS NEW
Wall-mounted white led flashing light with BUS technology



900OPTICBUS NEW
Set of surface mount infrared safety photocells, 12/24 V with BUS technology



300TCODEBUS
Cable digital keyboard with BUS signal transmission to be connected directly to the control unit



300TKEYBUS NEW
Die-cast aluminium key switch with BUS technology



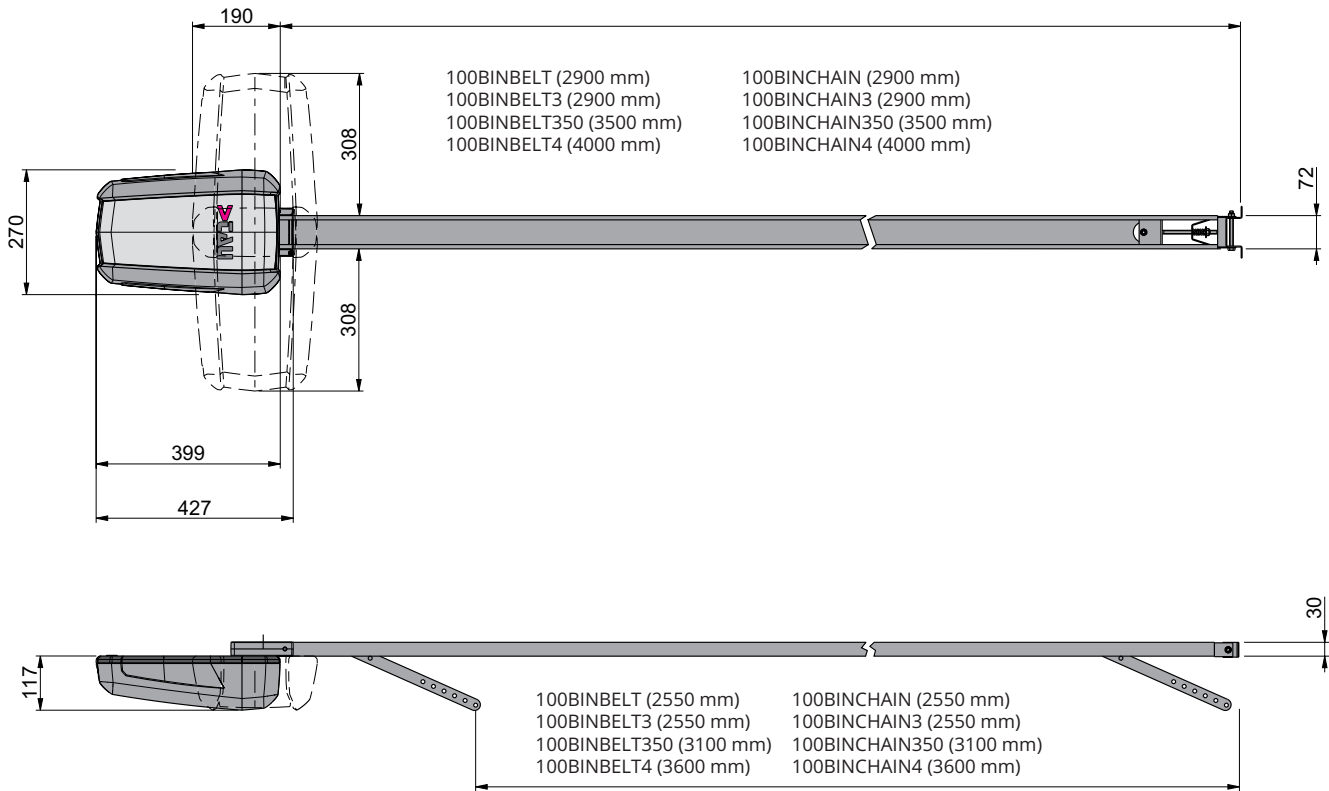
200SWITCHBUS NEW
Connection interface for open/close/stop keys with BUS technology



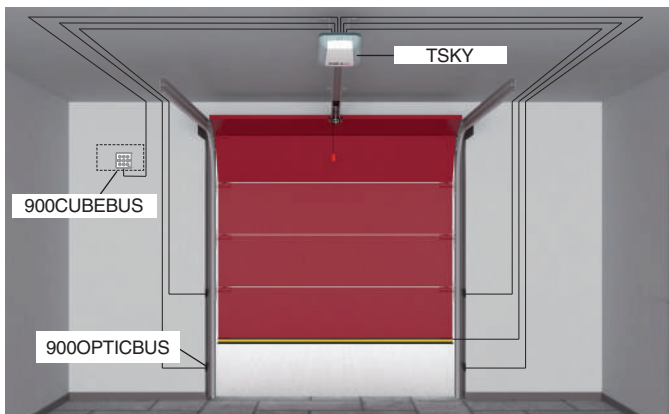
200T-CHARGE NEW
Battery and battery charger to be powered at 230 V for the control unit K995MA-B/S



TECHNICAL DRAWINGS



SECTIONAL GARAGE TYPICAL SYSTEM



UP-AND-OVER GARAGE TYPICAL SYSTEM

