

# 12 VOLT

## GATE OPERATOR ARM BENC

For gate leaves up to 5 m

### 650ARM225BENC

DC electromechanical linear gate operator with encoder. Maximum gate leaf 3 m

### 650ARM250BENC

DC electromechanical linear gate operator with encoder. Maximum gate leaf 4 m

### 650ARM270BENC

DC electromechanical linear gate operator with encoder. Maximum gate leaf 5 m



#### Features:

- residential / apartment building / commercial use
- for gates leaves up to 5 m
- low voltage DC gate operator
- optical encoder technology
- rod extension gate operator
- adjustable mounting brackets

#### Pros:

- obstacle detection and crush prevention
- in accordance with EN 12445-12453 standards
- works even during power outage thanks to the optional backup battery
- fast operating speed
- soft start and soft stop
- intensive use, ideal for use on apartment buildings and public entrances
- electrical connections are easier thanks to the larger upper space
- quick and easy installation
- suitable for large gates and non standard sized posts

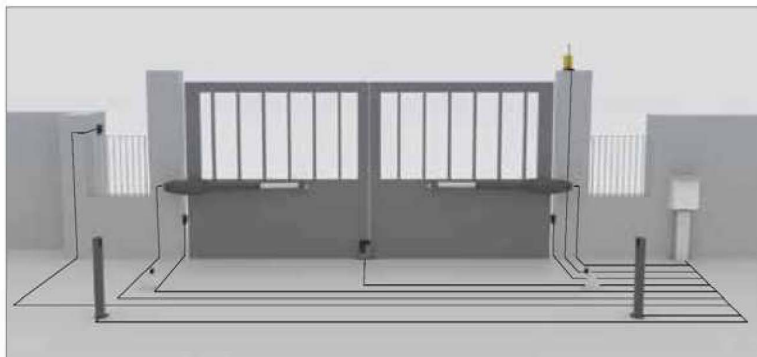
Technical features	ARM225BENC	ARM250BENC	ARM270BENC
Power supply	230 V AC (50 - 60 Hz)	230 V AC (50 - 60 Hz)	230 V AC (50 - 60 Hz)
Motor power supply	18 V DC	18 V DC	18 V DC
Absorption	1,3 A	1,3 A	1,3 A
Absorbed power	24 W	24 W	24 W
Opening time 90°	12 sec.	12,5 sec.	13 sec.
Duty cycle	100 %	100 %	100 %
Max. thrust	2600 N	2600 N	2600 N
Operating temperature	-20° C ÷ +55° C	-20° C ÷ +55° C	-20° C ÷ +55° C
Motor thermal protection	-	-	-
Degree of protection	IP 44	IP 44	IP 44



**Easy mounting**  
Multi-position adjustable brackets allow greater flexibility during assembly even on non standard sized posts



**Manual release with personal key**  
Easy-to-operate manual release with key lock for the less skilled users



The above represented installation does not include safety devices such as safety edges. Their addition depends upon the risk assessment made on any installation in accordance with EN 12445-12453 standards.





**KARM225BA**

Complete double arm automation kit for gates up to 3 + 3 m, with two 650ARM225B gate operators

**KARM250BA**

Complete double arm automation kit for gates up to 4 + 4 m, with two 650ARM250B gate operators

**KARM270BA**

Complete double arm automation kit for gates up to 5 + 5 m, with two 650ARM270B gate operators

**Accessories included in the kit:**



900OPTIC



750D749MA



300T-KEY  
aluminium +  
LED TSL



250ANTD



900LAMP4



250K-SLIMRP



BRACKETS



C-CRT

**Accessories**



**750D749MA**  
Electronic control unit for one or two DC gate operators with encoder, complete with 433,92 Mhz rolling code radio receiver, battery charger, transformer and enclosure



**650ESV1-2**  
Electric lock (1 = left hand opening – 2 = right hand opening)



**200BATT**  
12 Volt Battery, 7,2 Ah



**700BAP**  
Gate stopper for heavy leaves



**M-030000CC50**  
Multicore cable (2 x 2.5 sq.mm + 3 x 0.5 sq.mm)



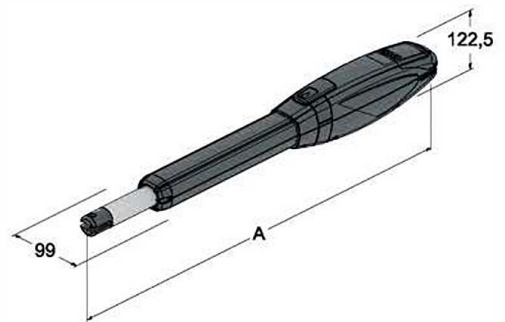
**C-TARG**  
Aluminium CE Mark Label, self adhesive



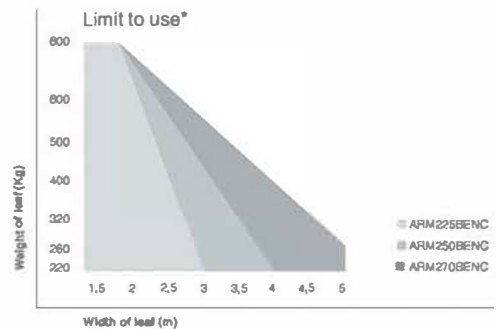
**700GS5**  
Weatherproof cable connector for 5-core 12 V cable

Use only M-030000CC50 cable or equivalent

See page 128 for assembly measurements and opening angle



	<b>A</b>
ARM225BENC	811
ARM250BENC	951
ARM270BENC	1056



\*They refer to leaves with openings and not totally closed panels.



**Solar power**  
Thanks to the Photovoltaic (PV) Technology, every low voltage DC gate operator can be solar powered. Discover the advantages of the solar energy at page 126



**Further accessories:**  
Transmitters page 106  
Photocells page 112  
Flashing lights page 115